

6ICS200

ICS series Intensive Cycle Service

Narada's ICS series battery designed to provide high cycling and fast charge performance, idea for telecom service where power supply is unstable. With innovative structure design, high quality manufacturing and high quality material, ICS batteries are also capable of PSoC, hybrid, renewable energy storage application and other cycling/standby applications.

ICS series also have true front access terminal for fast installation and facilitates maintenance.

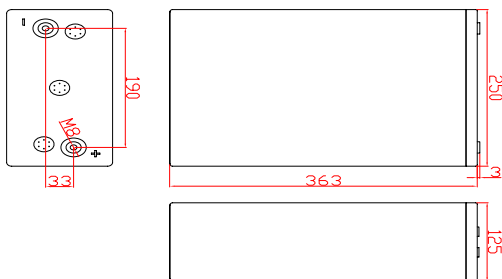


Features & Benefits

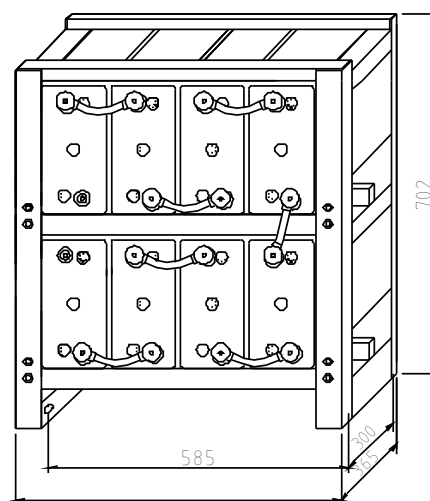
- Extra high cycling and fast charge performance
- Designed for intensive cycle service where unstable grid power supply or no-grid, such as Telecom BTS, hybrid genset, renewable energy storage application
- Superb security and reliability, more cost effective than nearest equivalent
- 12 year design float life at 25°C
- Wide operating temperature range -40°C to +50°C
- True front-terminal design
 - Not requiring any additional space between the top of the battery and the next shelf
 - Easy paralleling of 48V strings via cost-effective flexible cables running along front surface
- -With rotational symmetry not requiring expensive and long cables when long strings are assembled on multiple
- Fold-away handles for easy installation and removal from shelves

Drawings

6V monobloc dimensions (in mm)



48V system:



6ICS200

ICS series Intensive Cycle Service

Technical specifications

Electrical data

Nominal voltage	6 V
Number of cells	3
Rated capacity(25°C)	200 Ah - 20A for 10h to 1.80V/cell
Float voltage	2.25Vpc at 25°C
Cycle and equalize charge voltage	2.35Vpc at 25°C
Internal resistance	1.60 mΩ (acc. to IEC 60896-21)
Short circuit current	5598A (acc. to IEC60896-21)
Max. charge current	unlimited, otherwise 50A max. if T>25°C
Self discharge	less than 3% per month at 25°C

Mechanical data

Weight ready for use	36.5 kg (80.47 lbs)
Length	366 mm (14.4 in)
Width	125 mm (4.92 in)
Height of monobloc	250 mm (9.84 in)
Total height	250 mm (9.84 in)
Terminal	M8 female
Terminal hardware torque	10±1.0 N.m

Constant Current Discharge Characteristics Units: Amperes (25°C, 77°F)

End voltage per cell	5MIN	15MIN	30MIN	45MIN	1HR	2HR	3HR	4HR	5HR	6HR	8HR	10HR	12HR	20HR	24HR
1.60V	699	385	242	181	145	80.7	58.3	45.7	38.2	32.7	25.9	20.9	18.0	12.1	10.1
1.67V	655	368	238	180	144	79.5	57.6	45.4	38.0	32.6	25.8	20.8	18.0	12.1	10.0
1.70V	571	329	234	178	143	78.8	57.2	44.9	37.6	32.3	25.5	20.7	17.9	11.9	10.0
1.75V	515	344	226	175	140	77.8	56.2	44.4	37.2	32.0	25.2	20.6	17.8	11.9	9.80
1.80V	502	316	216	171	137	76.8	55.1	43.9	36.8	31.8	25.0	20.4	17.5	11.6	9.69
1.83V	452	294	205	164	131	73.9	54.2	42.6	35.7	30.9	24.3	20.3	17.0	11.3	9.51
1.85V	410	281	198	159	128	72.8	53.3	41.9	35.2	30.6	24.0	20.1	16.8	11.1	9.41

Constant Power Discharge Data Units: Watts per cell (25°C,77°F)

End voltage per cell	5MIN	15MIN	30MIN	45MIN	1HR	2HR	3HR	4HR	5HR	6HR	8HR	10HR	12HR	20HR	24HR
1.60V	1189	680	439	336	271	156	109	89.1	73.3	63.8	48.1	41.0	34.5	22.8	18.9
1.67V	1136	656	434	332	269	155	108	88.6	72.9	63.5	47.9	40.8	34.4	22.8	18.8
1.70V	1111	649	430	329	266	153	107	87.7	72.2	62.9	47.4	40.4	34.4	22.6	18.8
1.75V	1032	626	416	324	262	151	106	86.7	71.1	61.9	46.9	40.0	33.8	22.3	18.7
1.80V	930	586	394	318	257	149	104	85.7	70.1	60.8	46.2	39.4	33.6	22.0	18.5
1.83V	851	556	382	309	250	145	103	83.7	68.9	59.1	45.2	38.6	33.5	21.7	18.2
1.85V	792	531	373	298	241	141	101	82.8	68.0	58.8	44.5	38.3	32.9	21.4	18.1

NARADA POWER SOURCE CO.,LTD.

9F, Building A, No. 50 Zijinghua Road, Hangzhou, China
 Tel:+86-571-56975980 / 56975956 Fax:+86-571-56975955
 Website: www.naradapower.com E-mail: intl@narada.biz

