

SPECIFICATIONS

Model No.		PLFE-12S
Dimensions	Length	150mm
	Width	87mm
	Height	105mm
Weight		1100g

CHARACTERISTICS

Nominal Voltage		12V
Capacity		4Ah
Nominal Power		48Wh
Initial Impedance		<12mΩ
Working Voltage		8V~14.4V
Operating Temperature	Charge	0°C ~ +45°C
	Discharge	-20°C ~ +55°C
Storage Temperature		0°C~30°C
Charge Current		2A (0.5C), Max. 8A (2C)
Charge Retention		30 days ≥95%
Discharge	Continuous	160A (40C)
	Maximum	280A (70C, 15S)
CCA (-18°C storage for 20h)		120A (30C, 15S)
Cycle Life		2000 cycles

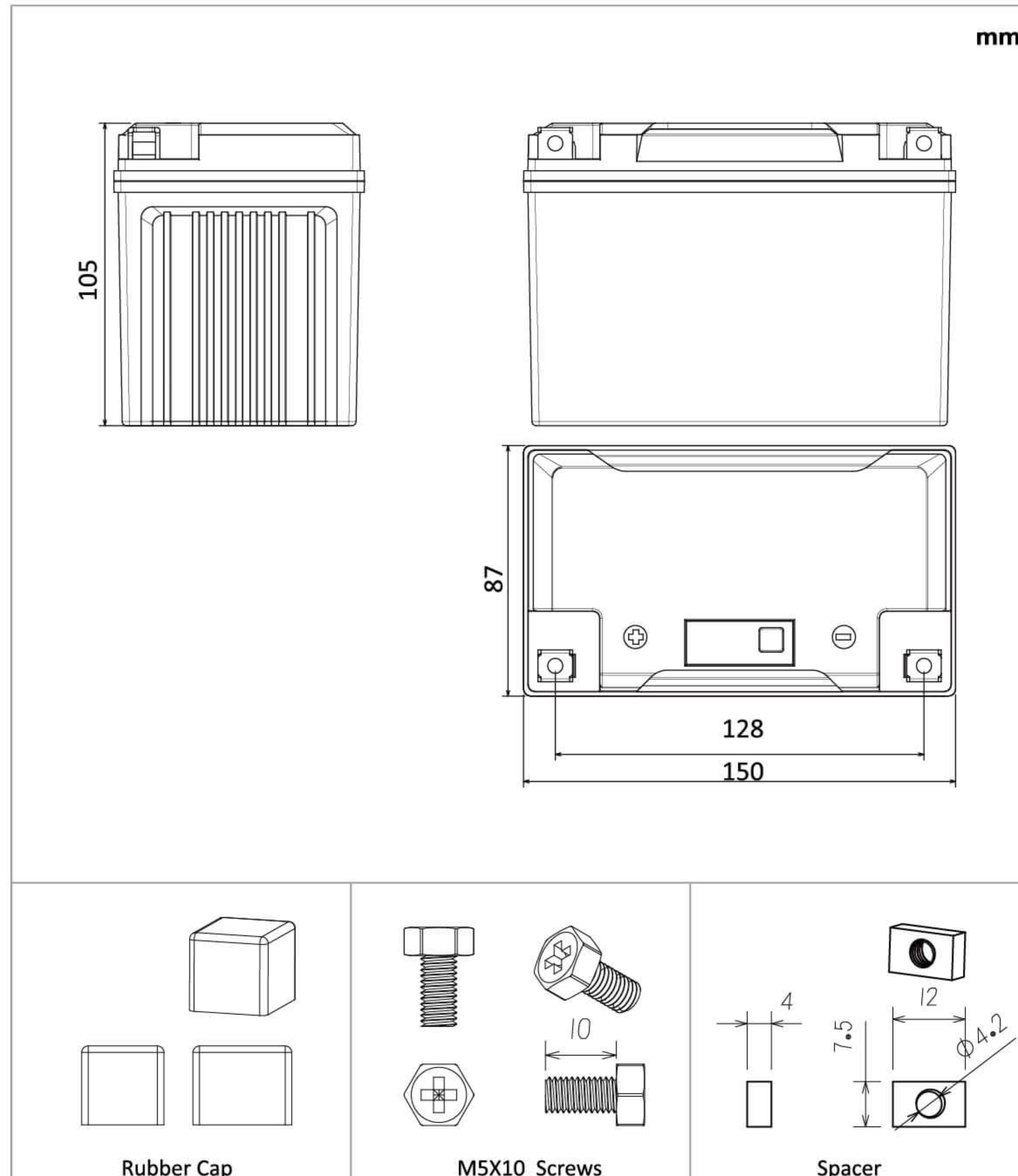


PLFE-12S

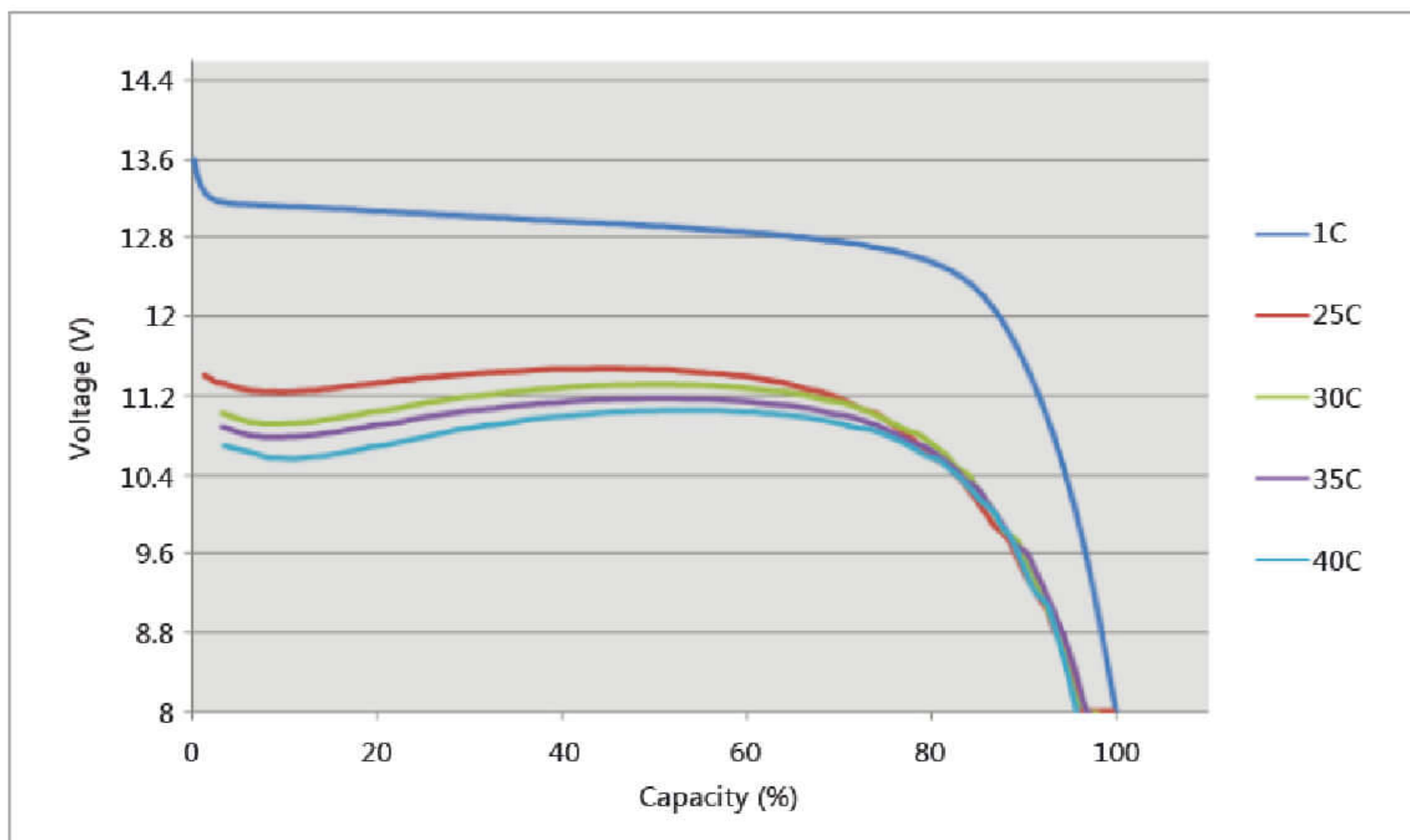
REPLACEMENTS

YTZ12S

DRAWINGS



DISCHARGING GRAPH



CERTIFICATIONS

UN38.3 CE